

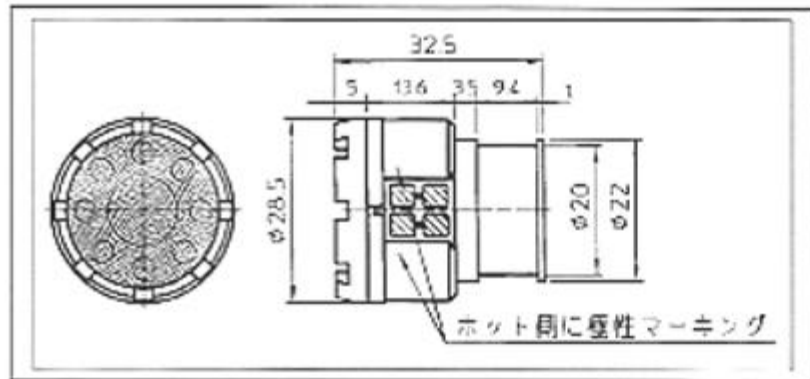
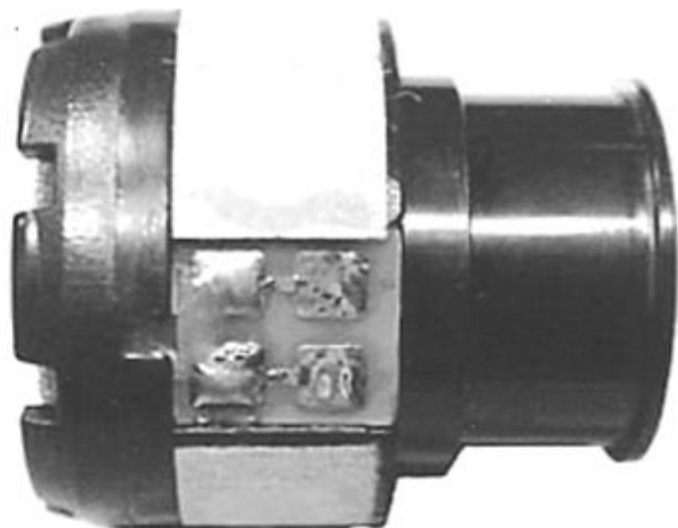
ET-MU44D

Features

- Hyper Uni-directional

Applications

- Boom mic.
- Vocal mic.



Specification

Type	Dynamic microphone unit
Impedance	200Ω +/-15%
Sensitivity	-58dB +/-3dB (0dB=1V/ μ bar, 1KHz)
Frequency Range	100Hz~10 KHz
Polar pattern	Hyper Uni-directional
Weight	30 g
Size	28.5 ϕ x 32.5(l) mm