

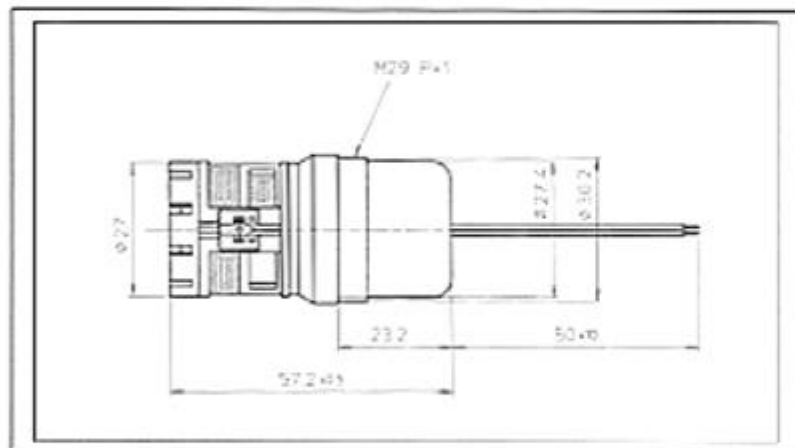
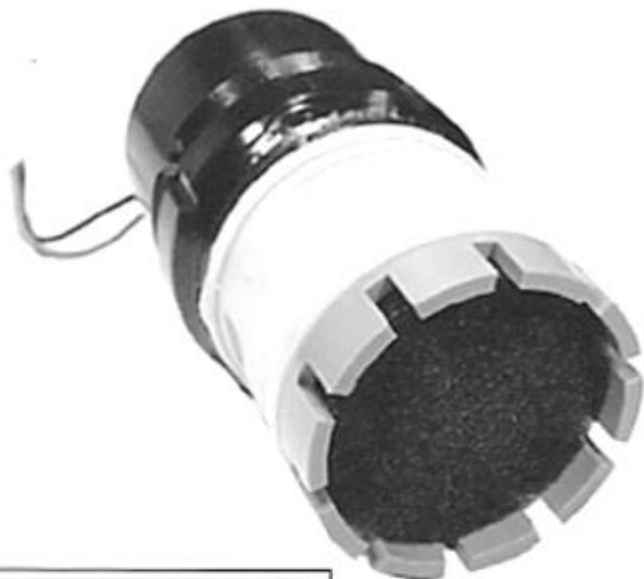
ET-UDU28HA

Features

- Uni-directional

Applications

- Boom mic.
- Vocal mic.



Specifications

Type	Dynamic microphone unit
Impedance	680 Ω +/-20%
Sensitivity	-52B +/-3dB (0dB=1V/μ bar, 1KHz)
Frequency Range	100Hz~10 KHz
Polar pattern	Uni-directional
Weight	50 g
Size	27.0 φ x 57.2(t) mm