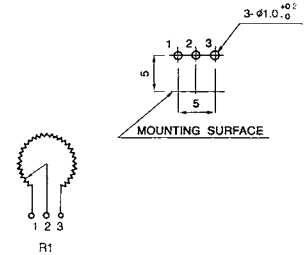
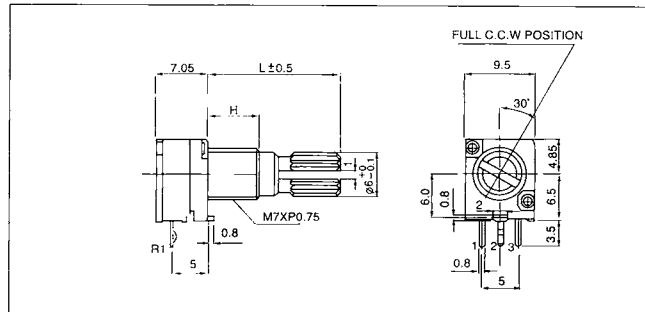
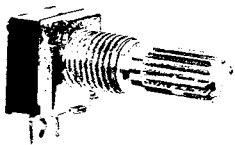


F-091 Series

Metal Shaft Rotary Potentiometer

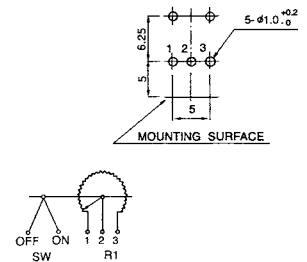
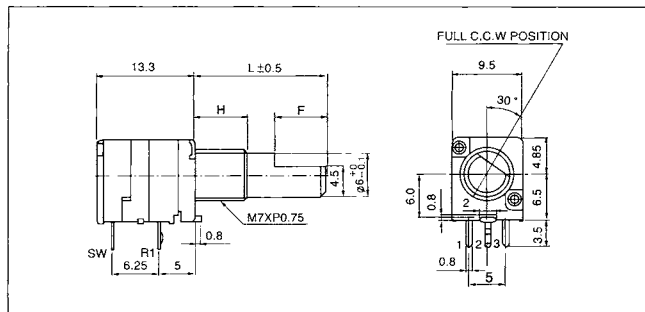
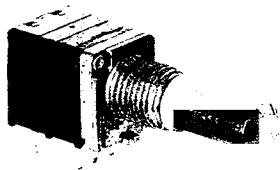
F-0911 \square N M

Vertical Type, Single Unit



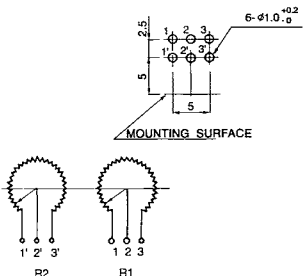
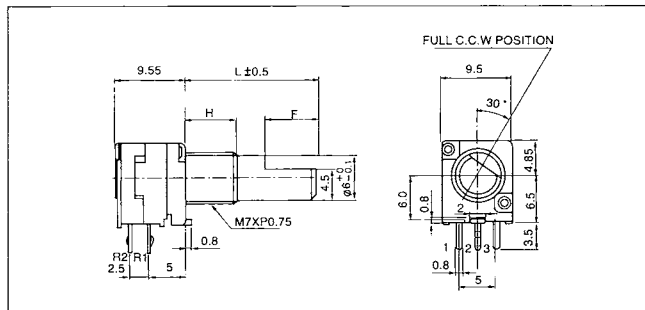
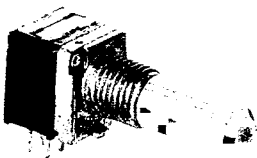
F-0911 \square S M

Vertical Type with Switch,
Single Unit



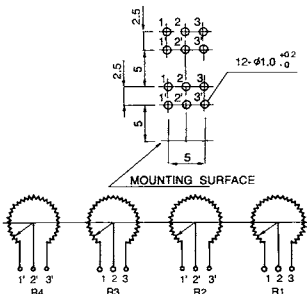
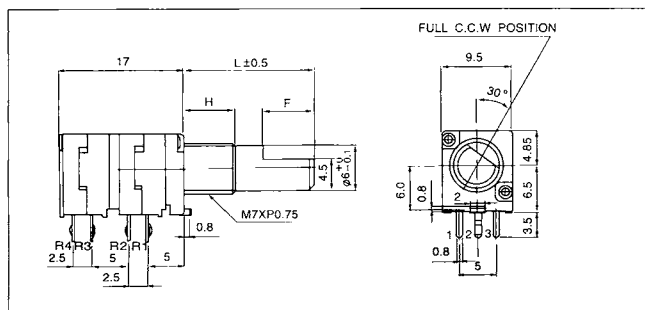
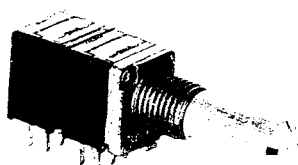
F-0912 \square G M

Vertical Type, Dual Unit



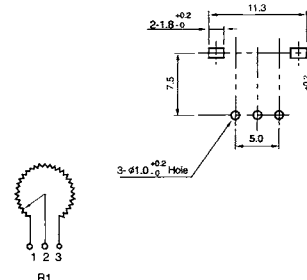
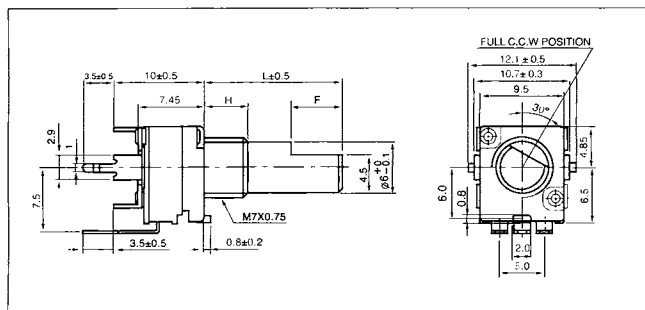
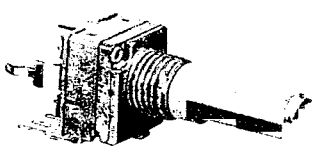
F-0914 \square G M

Vertical Type, Dual Unit



F-0911 \square N-2 M

Horizontal Type, Single Unit



F-091 Series

Metal Shaft Rotary Potentiometer

SPECIFICATIONS

Electrical Characteristics

- Total Resistance.....10KΩ~ 500 KΩ
- Total Resistance Tolerance.....±20%
- Resistance Taper.....A,B,C,D, See P14
- Max. Operation Voltage..... AC50V,DC10V
- Rated Power.....Linear Taper B : 0.05W
Other Tapers : 0.025W
- Sliding Noise.....Less than 100 mV
- Insulation Resistance.....More than 100 MΩ at DC 250 V
- Withstand Voltage.....1 minute at AC 300 V
- Residual Resistance.....Term.1~2:Less than 20Ω
Term.2~3:Less than 20Ω
- Gang Error (Dual Unit).....-40 dB ~ 0 dB ± 3 dB
- Switch Contact Resistance.....Less than 100 mΩ
- Switch Rated Power.....3.0 A at DC16V

Mechanical Characteristics

- Total Rotational Angle.....300° ± 10°
- Rotational Torque.....5gf.cm ~200 gf.cm
- Rotational Stopper Strength.....4.0 Kgf.cm Min.
- Push-Pull Strength.....6.0Kgf Min
- Switch Rotational Angle.....50° Max
- Switch Action.....PUSH: 200~800gf
Rotational: 500gf.cm Max

Durability

- Rotational Life.....15,000 Cycles

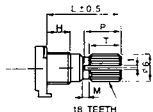
SHAFT ILLUSTRATION

Standard Dimensions of shaft for F-091 Series.
(Customer designs are welcomed)

Length of Shaft set

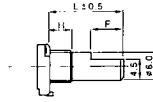
M	5	7	0
H	5	7	10

Type of shaft
KQ-Type



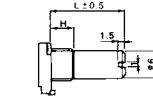
H = 5					H = 7				H = 10				
L	15KQ	20KQ	25KQ	30KQ	L	15KQ	20KQ	25KQ	30KQ	L	20KQ	25KQ	30KQ
P	7	13	14	14	P	6.5	11	12	14	P	6.5	11	14
T	6	12	12	12	T	5.5	10	10	12	T	6	10	12
M	1	2	2	4	M	1	1	2	4	M	1	2	4

F-Type



H = 5					H = 7				H = 10				
L	15F	20F	25F	30F	L	15F	20F	25F	30F	L	20F	25F	30F
F	7	12	12	12	F	7	12	12	12	F	7	12	12

RE-Type



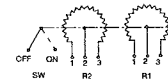
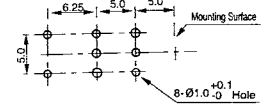
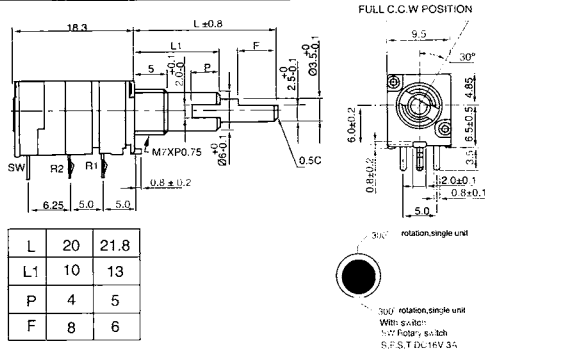
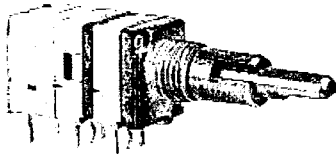
H = 5					H = 7				H = 10				
L	15RE	20RE	25RE	30RE	L	15RE	20RE	25RE	30RE	L	20RE	25RE	30RE
L	15RE	20RE	25RE	30RE	L	15RE	20RE	25RE	30RE	L	20RE	25RE	30RE

F-092 Series

Metal Shaft Rotary Potentiometer

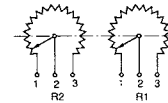
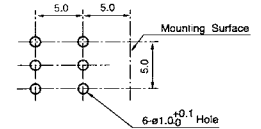
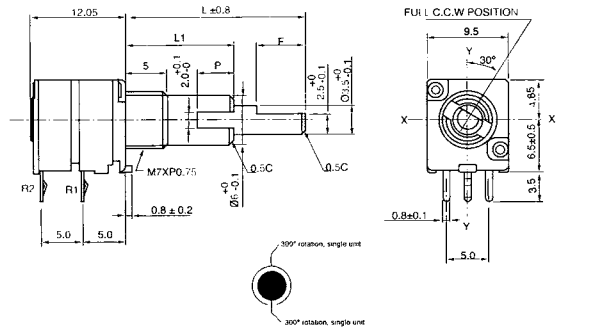
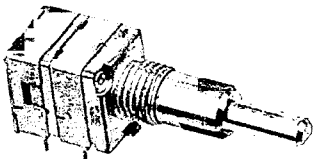
F-0922 \square S M

Vertical Type with Switch,
Single Unit, Dual shaft



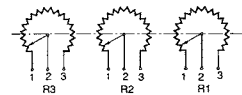
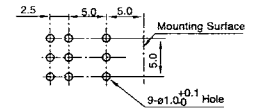
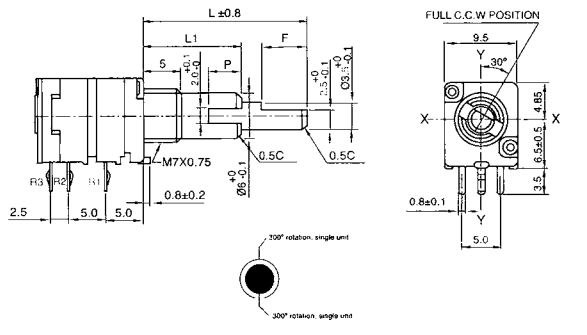
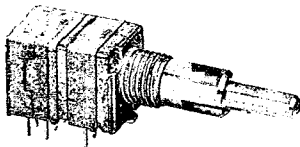
F-0922 \square G M

Vertical Type, Single Unit,
Dual shaft



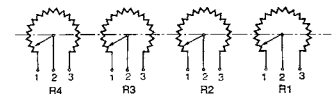
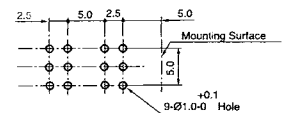
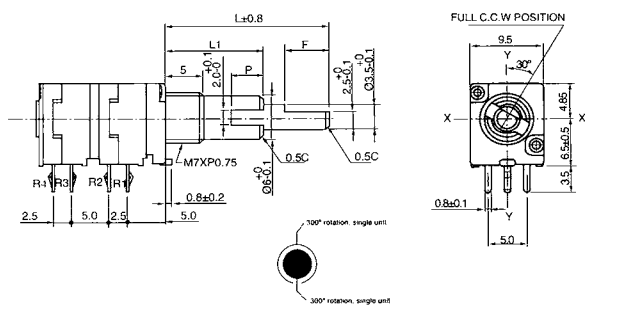
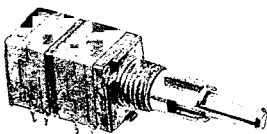
F-0923 \square G M

Vertical Type, Dual Unit,
Dual shaft



F-0924 \square G M

Vertical Type, Dual Unit,
Dual shaft



F-092 Series

Metal Shaft Rotary Potentiometer

SPECIFICATIONS

Electrical Characteristics

- Total Resistance.....10K Ω ~ 500 K Ω
- Total Resistance Tolerance..... $\pm 20\%$
- Resistance Taper.....A,B,C,D, See P14
- Max. Operation Voltage..... AC50V,DC10V
- Rated Power.....Linear Taper B: 0.05W
Others: 0.025W
- Sliding Noise.....Less than 100 mV
- Insulation Resistance.....More than 100 M Ω at DC 250 V
- Withstand Voltage.....1 minute at AC 300 V
- Residual Resistance..... Term.1~2:Less than 20 Ω
Term.2~3:Less than 20 Ω
- Switch Contact Resistance.....Less than 100 m Ω
- Switch Rated Power.....3.0 A at DC16V

Mechanical Characteristics

- Total Rotational Angle.....300 $^{\circ} \pm 10^{\circ}$
- Rotational Torque.....5gf.cm ~200 gf.cm
- Rotational Stopper Strength.....4.0 Kgf.cm Min.
- Push-Pull Strength.....6.0Kgf Min
- Switch Rotational Angle.....50 $^{\circ}$ Max
- Switch Action.....500gf.cm Max

Durability

- Rotational Life.....15,000 Cycles

SHAFT ILLUSTRATION

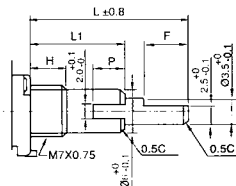
Standard Dimensions of shaft for F-092Series.
(Customer designs are welcomed)

Length of Shaft set

M	5	7	0
H	5	7	10

Type of shaft

F-Type



H = 5

L	15	20	21.8
L1	10	10	13
P	4	4	5
F	5	8	6

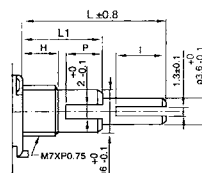
H = 7

L	25
L1	15
P	5
F	8

H = 10

L	30	35
L1	20	25
P	5	5
F	8	8

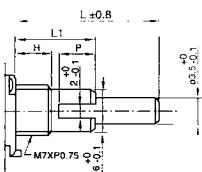
RE-Type



H = 5

L	20
L1	11
P	5
I	7

R-Type



H = 5

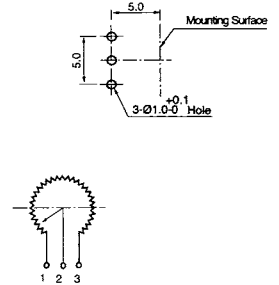
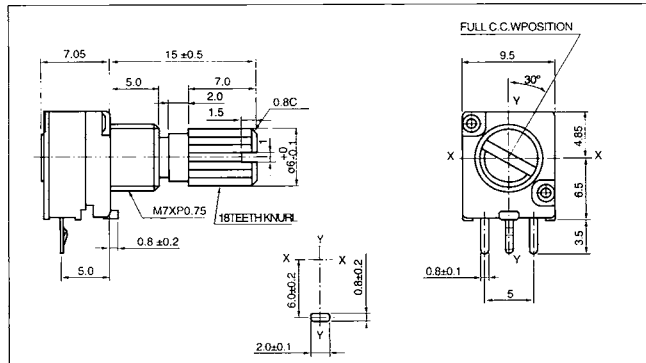
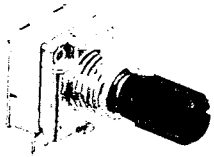
L	17.5
L1	10
P	4

F-093 Series

Metal Shaft Rotary Potentiometer

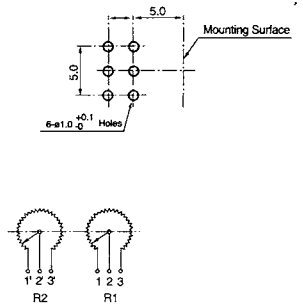
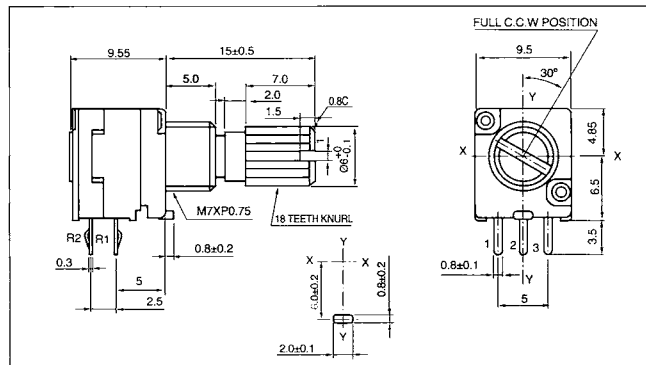
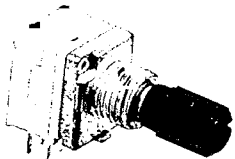
F-09315N

Vertical Type, Single Unit



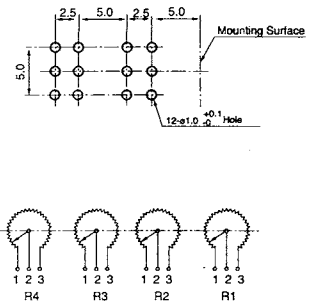
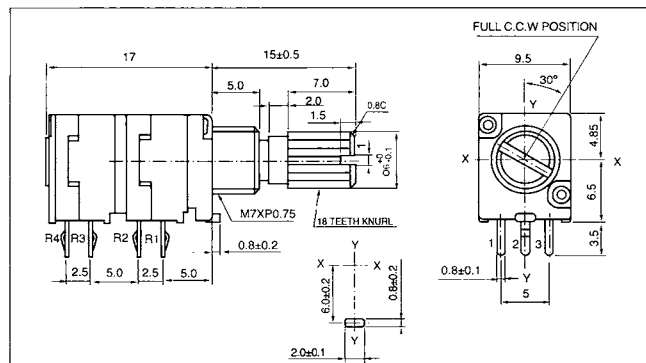
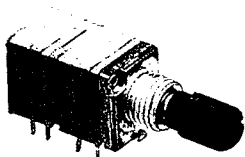
F-09325G

Vertical Type, Dual Unit



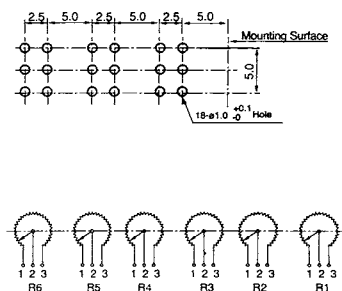
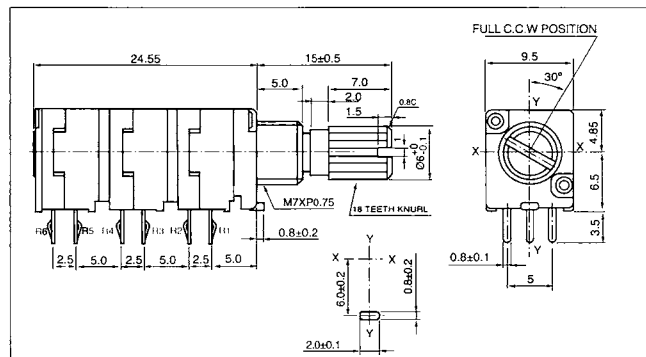
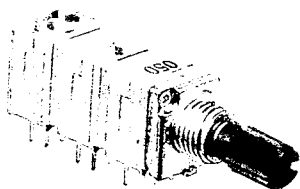
F-09345G

Vertical Type, Dual Unit



F-09365G

Vertical Type, Dual Unit



F-093 Series

Metal Shaft Rotary Potentiometer

SPECIFICATIONS

Electrical Characteristics

- Total Resistance.....10K Ω ~ 500 K Ω
- Total Resistance Tolerance..... \pm 20%
- Resistance Taper.....A,B,C,D, See P14
- Max. Operation Voltage..... AC50V,DC10V
- Rated Power.....Linear Taper B: 0.05W
Others: 0.025W
- Sliding Noise.....Less than 100 mV
- Insulation Resistance.....More than 100 M Ω at DC 250 V
- Withstand Voltage.....1 minute at AC 300 V
- Residual Resistance.....Term.1~2:Less than 20 Ω
Term.2~3:Less than 20 Ω
- Gang Error (Dual Unit).....-40dB~0dB \pm 3dB
- Switch Contact Resistance.....Less than100 m Ω
- Switch Rated Power.....3.0 A at DC16V

Mechanical Characteristics

- Total Rotational Angle.....300 $^{\circ}$ \pm 10 $^{\circ}$
- Rotational Torque.....5gf.cm ~200 gf.cm
- Rotational Stopper Strength..... 3.0 Kgf.cm Min.
- Push-Pull Strength..... 6.0Kgf Min
- Switch Rotational Angle.....50 $^{\circ}$ Max
- Switch Action..... 500gf.cm Max

Durability

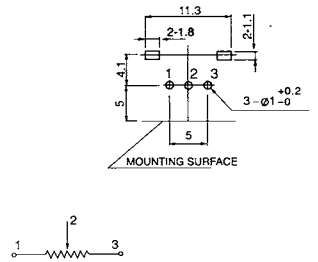
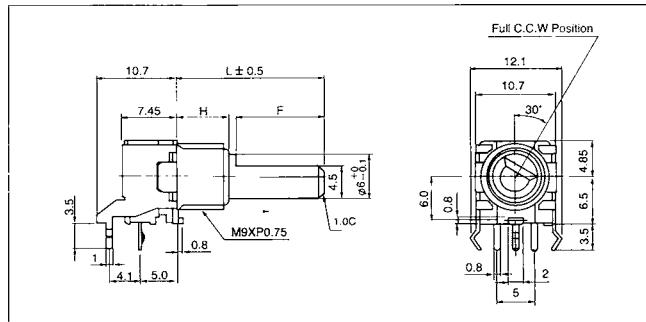
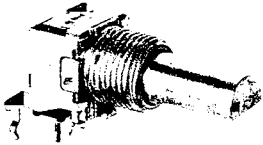
- Rotational Life..... 15,000 Cycles

F-095 Series

Metal Shaft Rotary Potentiometer

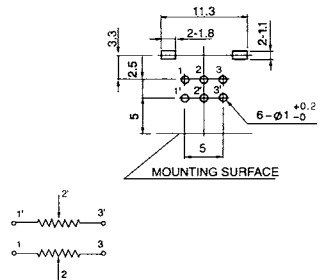
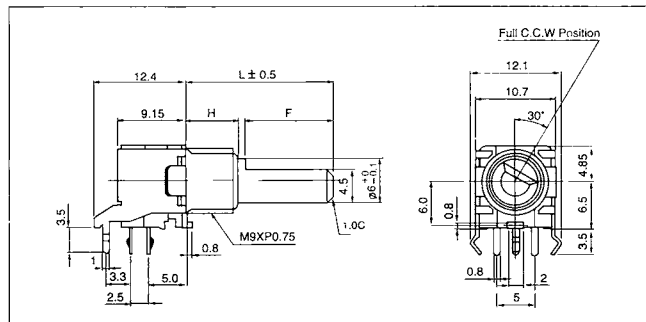
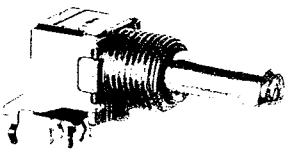
F-095V \square N M

Vertical Type, Single Unit
P.C.B Terminal



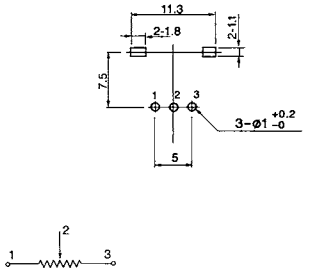
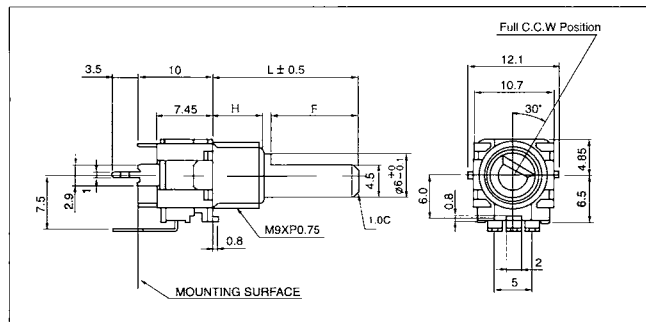
F-095V \square G M

Vertical Type, Dual Unit,
P.C.B Terminal



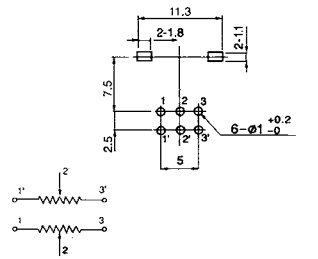
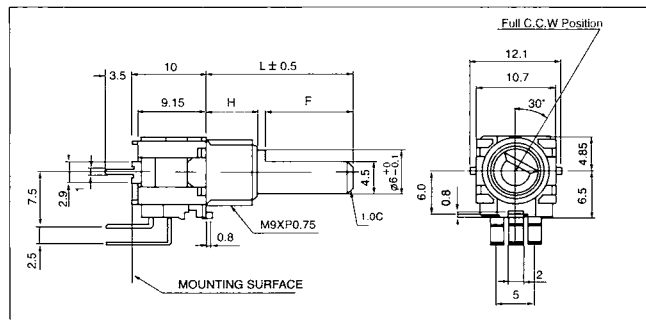
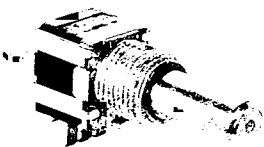
F-095H \square N M

Horizontal Type, Single Unit,
P.C.B Terminal



F-095H \square G M

Horizontal Type, Dual Unit,
P.C.B Terminal



F-095 Series

Metal Shaft Rotary Potentiometer

SPECIFICATIONS

Electrical Characteristics

- Total Resistance.....10KΩ~ 500 KΩ
- Total Resistance Tolerance.....±20%
- Resistance Taper.....A,B,C,D, See P14
- Max. Operation Voltage.....AC50V,DC10V
- Rated Power..... Linear Taper B : 0.05W
Other Tapers : 0.025W
- Sliding Noise.....Less than 100 mV
- Insulation Resistance.....More than 100 MΩ at DC 250 V
- Withstand Voltage.....1 minute at AC 300 V
- Residual Resistance..... Term.1~2:Less than 20Ω
Term.2~3:Less than 20Ω
- Gang Error (Daul Unit).....-40 dB ~ 0 dB ± 3 dB

Mechanical Characteristics

- Total Rotational Angle.....300° ± 10°
- Rotational Torque.....5gf.cm ~200 gf.cm
- Rotational Stopper Strength.....5.0 Kgf.cm Min.
- Push-Pull Strength.....10.0Kgf Min

Durability

- Rotational Life.....15,000 Cycles

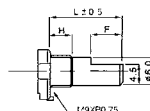
SHAFT ILLUSTRATION

Standard Dimensions of shaft for
F-095 Series.
(Customer designs are welcomed)

Length of Shaft set

M	5	7
H	5	7

Type of shaft
F-Type



H = 5			
L	12.5F	15F	17.5F
F	7	7	7

H = 7		
L	20F	25F
F	12	12