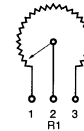
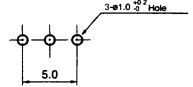
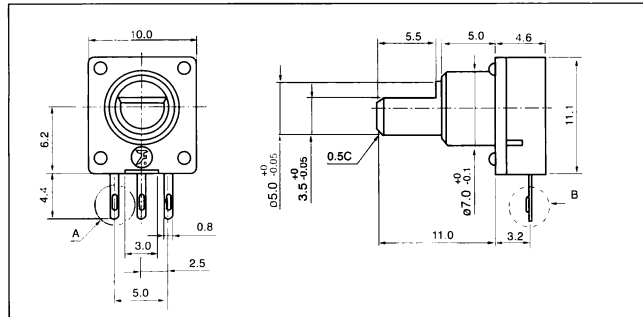


F-10K Series

Super Thin Rotary Potentiometer

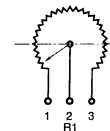
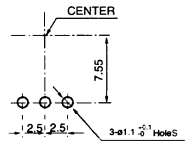
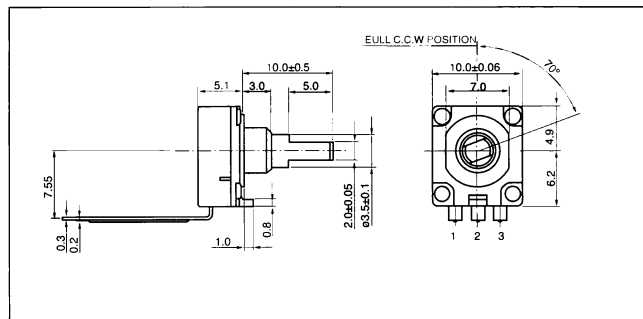
F-10KV4

Vertical Type, Single Unit



F-10KV6

Horizontal Type, Single Unit



SPECIFICATIONS

Electrical Characteristics

- Total Resistance.....500Ω~500KΩ
- Total Resistance Tolerance.....±20%
- Resistance Taper.....A,B,C,D, See P14
- Max.Operation Voltage.....AC50V, DC5V
- Sliding Noise.....Less than 300mV
- Insulation Resistance.....More than 100 MΩ at DC 250 V/1Minute
- Withstand Voltage.....1 minute at AC 250 V/2m A/ 50 Hz
- Residual Resistance.....Term.1-2:Less Than 300Ω
Term.2-3:Less Than 300Ω

Mechanical Characteristics

- Total Rotational Angle.....300°±10°
- Rotational Torque.....3 ~ 100 gf.cm
- Rotational Stopper Strength.....2 Kgf . cm Min.
- Push-Pull Strength.....Push:5kgf Min
Pull:5kgf Min

Durability

- Rotational Life.....100,000 Cycles