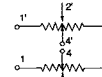
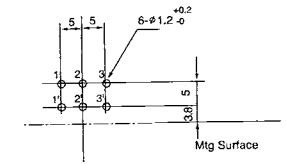
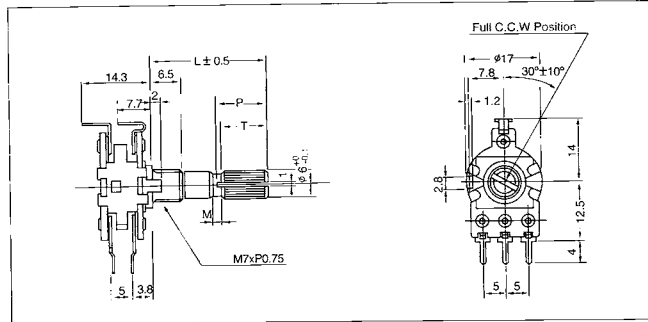
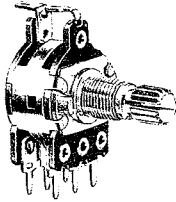


F-16K Series

Metal Shaft Rotary Potentiometer

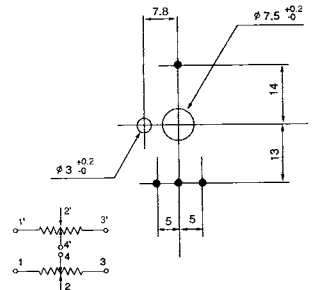
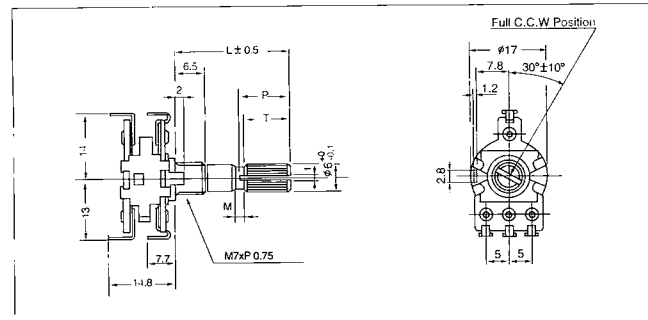
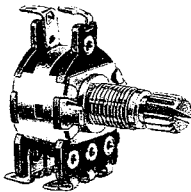
F-16KGT2

Vertical Type with 1, 11, 21, 41 Clicks, Dual Unit, P.C.B. Terminal with Tap



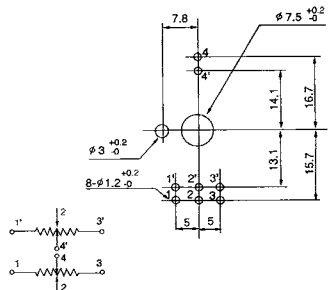
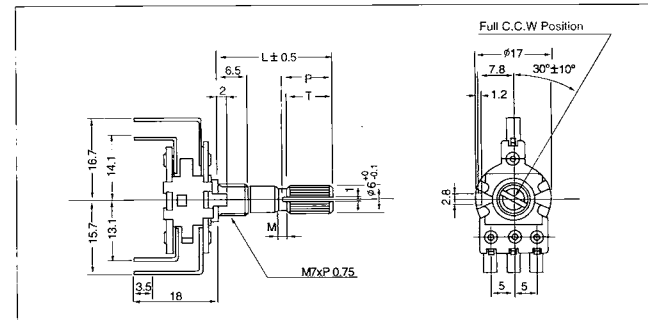
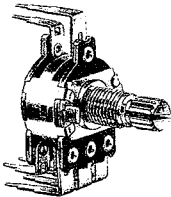
F-16KGE

Vertical Type with 1, 11, 21, 41 Clicks, Dual Unit, solder Terminal with Tap



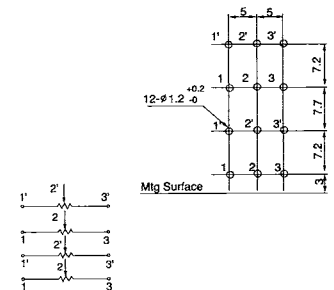
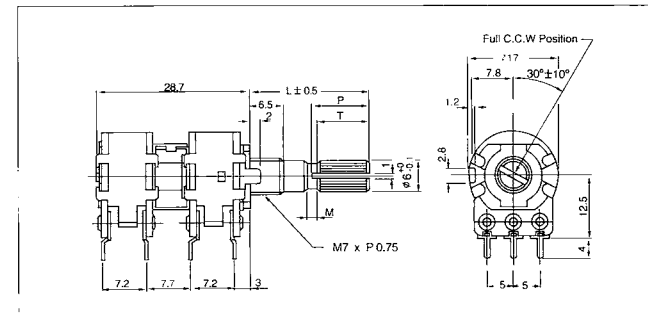
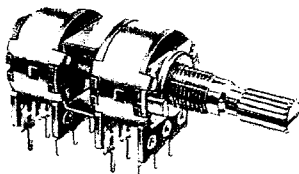
F-16KG3

Horizontal Type with 1, 11, 21, 41 Clicks, Dual Unit, P.C.B. Terminal with Tap



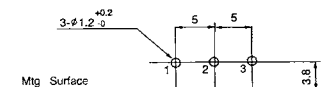
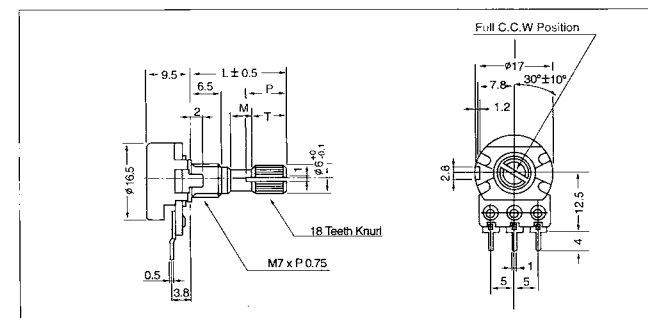
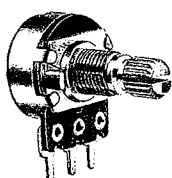
F-16KJ

Vertical Type with 1, 11, 21, 41 Clicks, Dual Unit, P.C.B. Terminal



F-16KN

Vertical Type with 1, 11, 21, 41 Clicks, Single Unit, P.C.B. Terminal

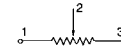
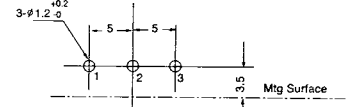
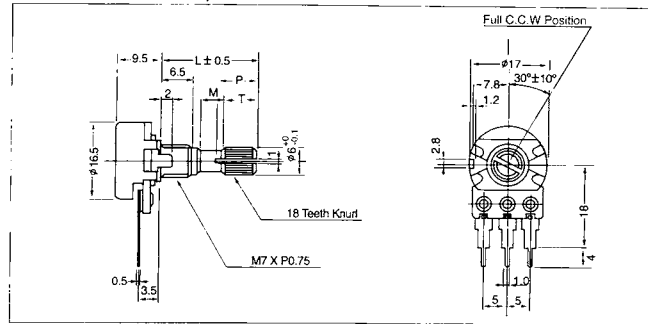
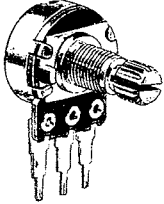


F-16K Series

Metal Shaft Rotary Potentiometer

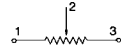
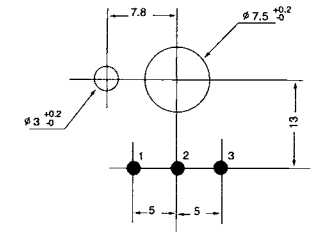
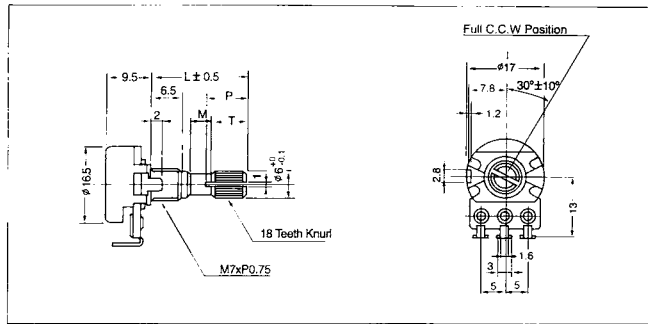
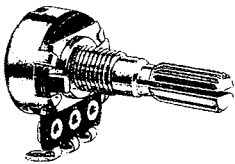
F-16KN2

Vertical Type with 1, 11,21, 41
Clicks, Single Unit, P.C.B. Terminal



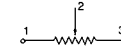
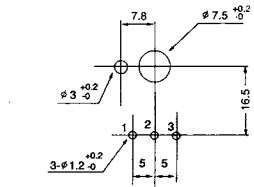
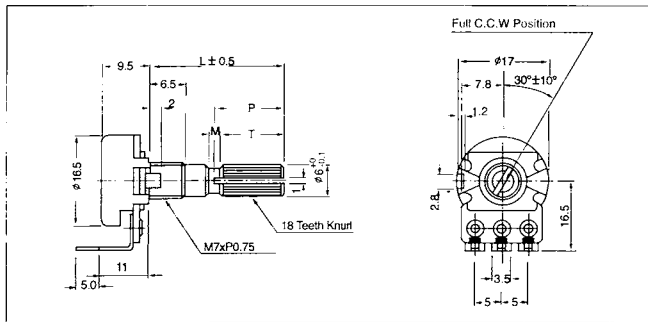
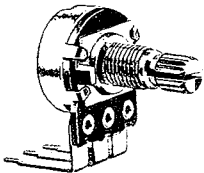
F-16KNP

Vertical Type with 1, 11,21, 41
Clicks, Single Unit, Solder Terminal



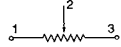
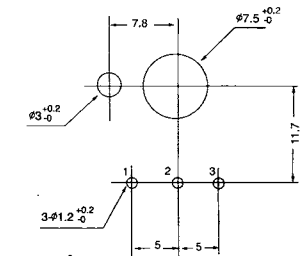
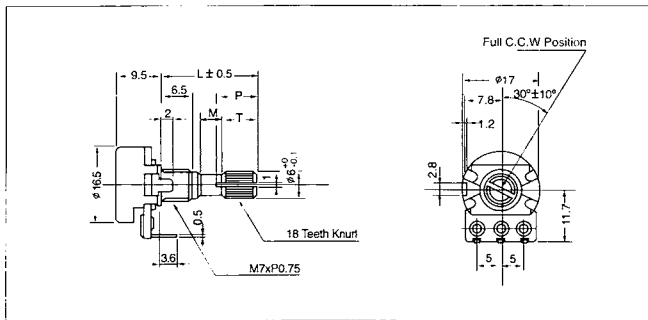
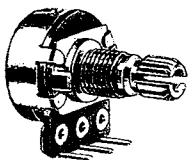
F-16KNP2

Horizontal Type with 1, 11,21, 41
Clicks, Single Unit, P.C.B. Terminal



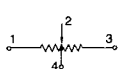
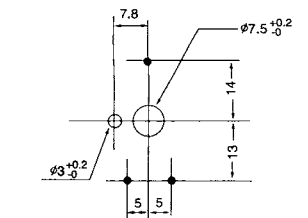
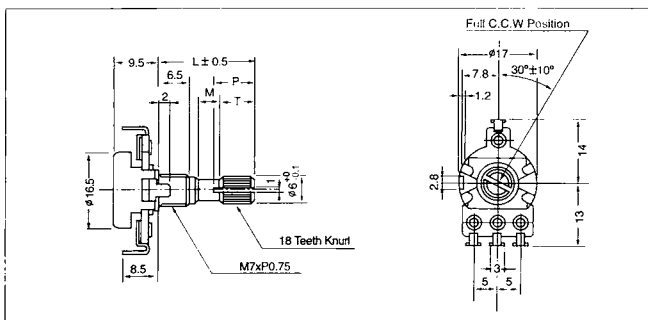
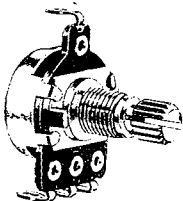
F-16KNPD

Reverse Type with 1, 11,21, 41
Clicks, Single Unit, P.C.B. Terminal



F-16KNE

Vertical Type with 1, 11,21, 41
Clicks, Single Unit, Solder Terminal with Tap

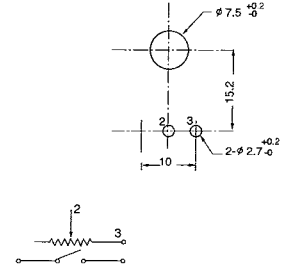
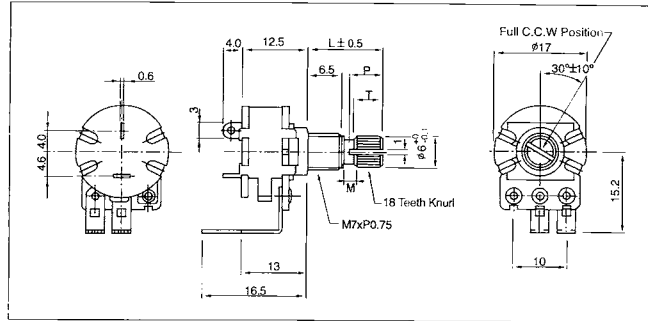
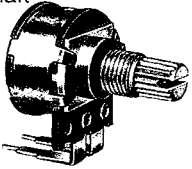


F-16K Series

Metal Shaft Rotary Potentiometer

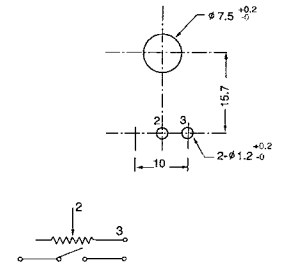
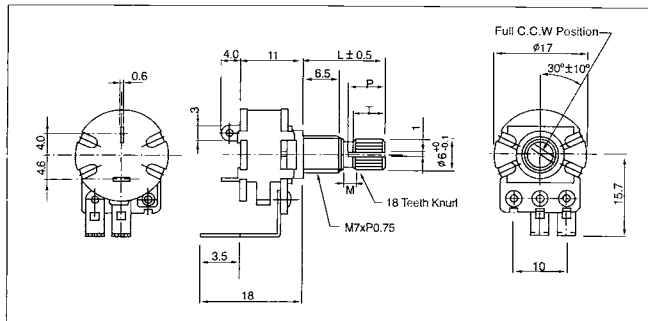
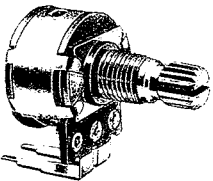
F-16KSBF

Horizontal Type with Switch,
Single Unit, P.C.B. Terminal with
Plastic Shaft



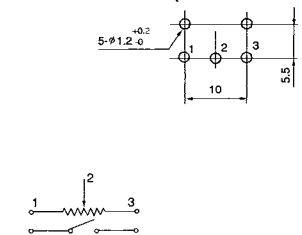
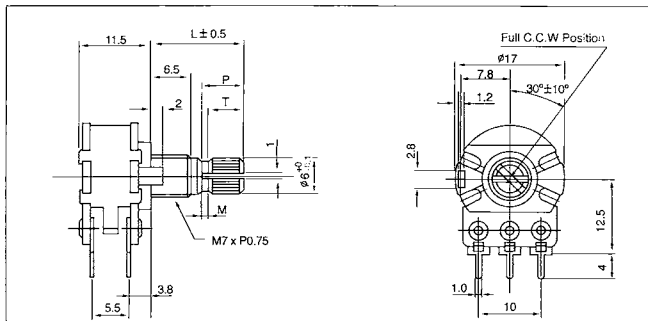
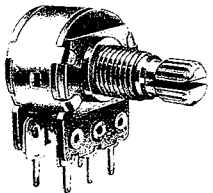
F-16KS

Horizontal Type with Switch,
Single Unit, P.C.B. Terminal



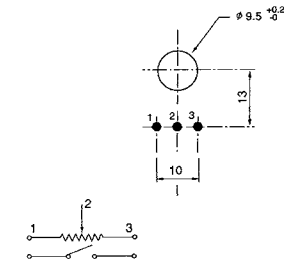
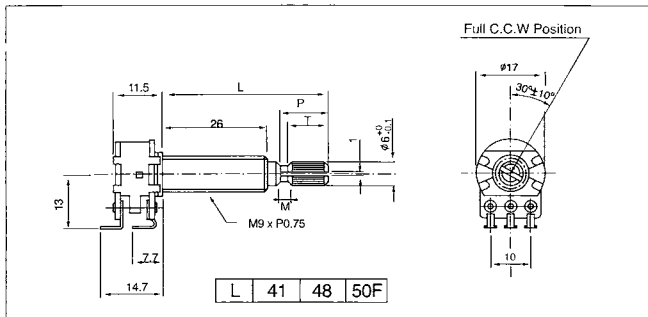
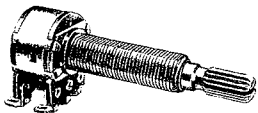
F-16KSH-N

Vertical Type With Switch,
Single Unit, P.C.B. Terminal



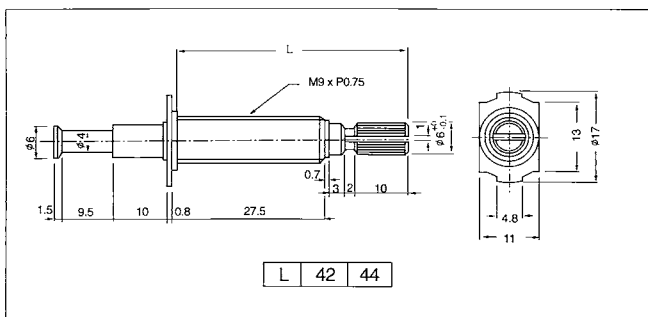
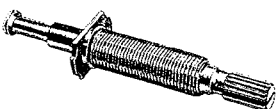
F-16KSH

Vertical Type with Switch, Single
Unit, Solder Terminal, for Car Audio
use



F-16KSH-1

Tuner Shaft, for Car Audio tuning
use



F-16K Series

Metal Shaft Rotary Potentiometer

SPECIFICATIONS

Electrical Characteristics

- Total Resistance.....500 Ω ~ 1MΩ
- Total Resistance Tolerance..... ± 20%
- Resistance Taper.....A,B,C,D,See P14
- Max. Operation Voltage.....Linear Taper B : AC 200 V ,Other Tapers : AC 150V
- Rated Power
- Single Unit.....Linear Taper B : 0.2 W, Other Tapers : 0.1 W
- Dual Unit.....Linear Taper B : 0.125 W, Other Tapers : 0.06 W
- Sliding Noise.....Less than 100 mV
- Insulation Resistance.....More than 100 MΩ at DC 500 V
- Withstand Voltage.....1 minute at AC 500 V
- Single Unit with Illuminated Function ...1 minute at AC 1500 V
- Residual Resistance..... Term. 1~2 : Less than 20Ω
Term. 2~3 : Less than 20Ω
- Gang Error (Dual Unit).....- 40 dB~0 dB ± 3 dB
- Switch Circuit.....S.P.S.T.
- Switch Contact Resistance..... Less than 50mΩ
- Switch Rated Power.....Single Unit : 1.0 A at AC/DC 12 V
Single Unit with Illuminated Function:2.0 A at AC/DC 125V

Mechanical Characteristics

- Total Rotational Angle.....300° ± 5°
- Rotational Torque.....20 gf.cm ~ 200 gf.cm
- Rotational Stopper Strength....7.0 Kgf.cm Min
- Push-Pull Strength.....8 Kgf Min
- Number of Detents.....Center Detent 1C, 11C, 21C, 41 C
- Switch Rotational Angle.....35°±10°
- Switch Action.....150 gf.cm ~ 500 gf.cm
- Bushing & Nut Tight Strength.....8 Kgf.cm Min
- Single Unit with Illuminated Function Strength:7.0 Kgf.cm Min

Durability

- Rotational Life.....10,000 Cycles
- Rotational Life (for Joystick).....100,000 Cycles Min.

SHAFT ILLUSTRATION

Standard Dimensions of Shaft for F-16K Series.
(Customer designs are welcomed)

