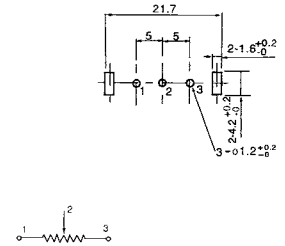
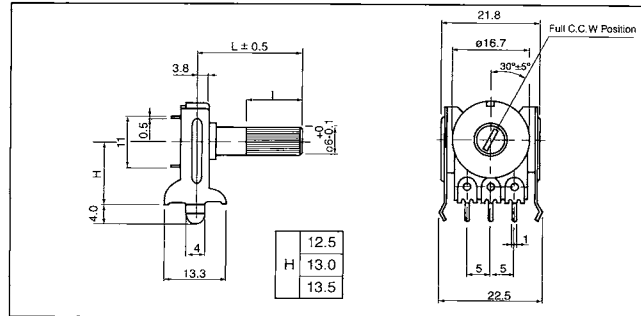
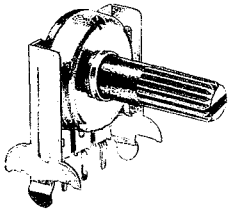


# F-162K Series

## Snap-In Insulated Shaft Rotary Potentiometer

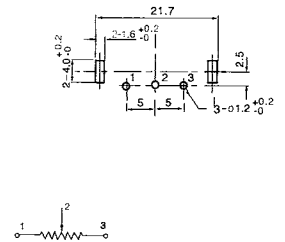
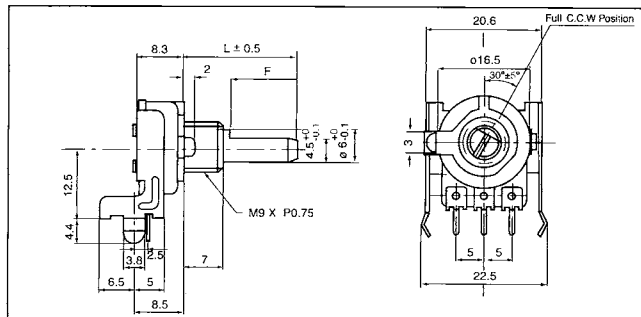
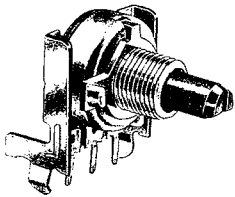
### F-162K

Vertical Type, Single Unit,  
P.C.B. Terminal



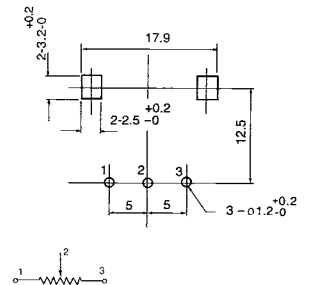
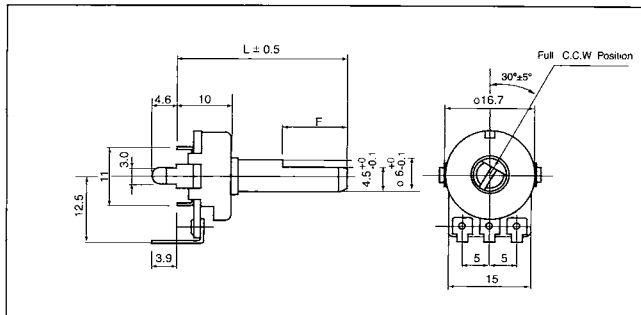
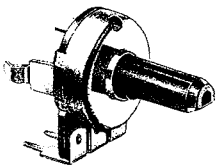
### F-162K-1

Vertical Type, Single Unit,  
P.C.B. Terminal



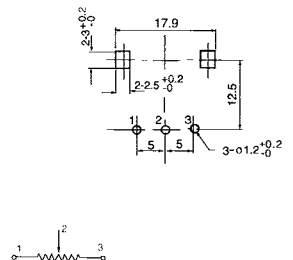
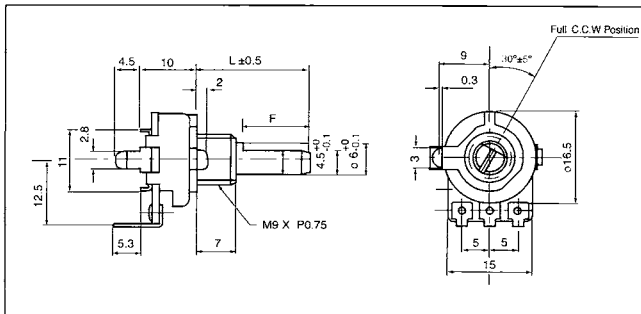
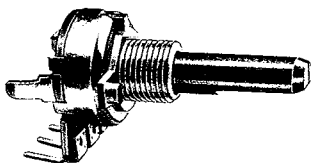
### F-162KP

Horizontal Type, Single Unit,  
P.C.B. Terminal



### F-162KP-1

Horizontal Type, Single Unit,  
P.C.B. Terminal

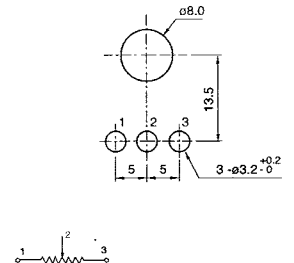
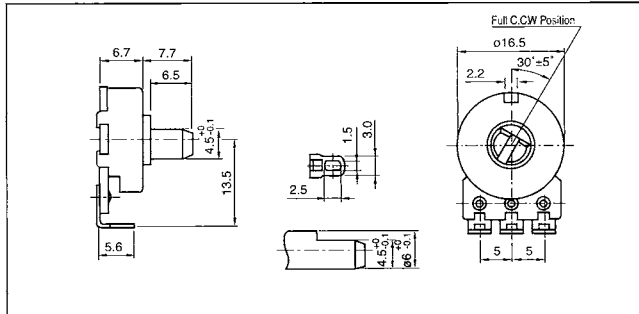


# F-162K Series

## Snap-In Insulated Shaft Rotary Potentiometer

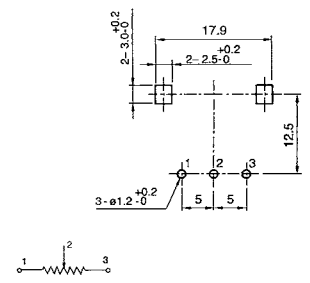
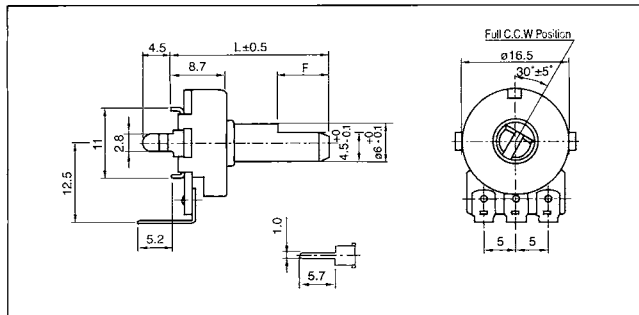
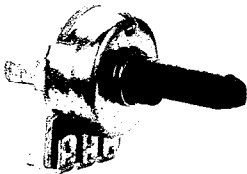
### F-162KP-10

Vertical Type, Single Unit, Solder Terminal



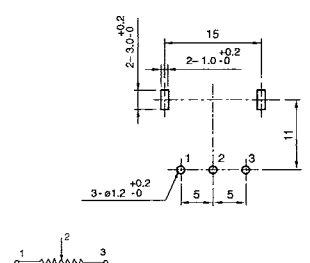
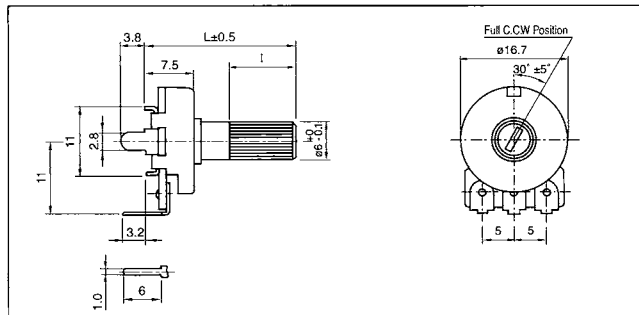
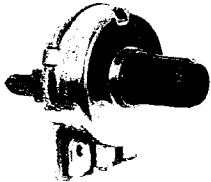
### F-162KP-4

Horizontal Type, Single Unit, P.C.B. Terminal



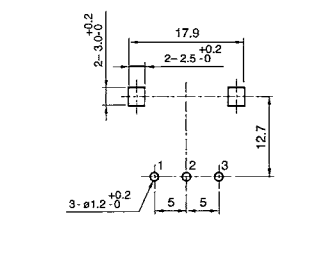
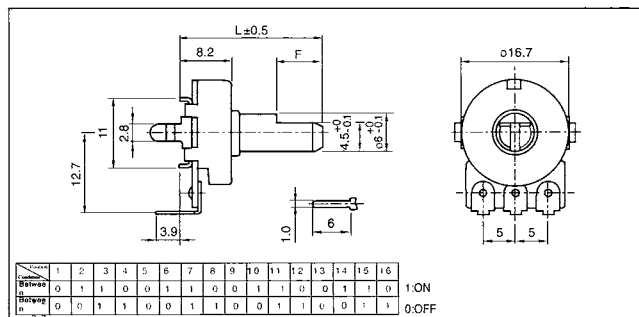
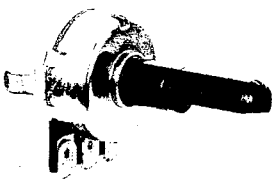
### F-162KP-5

Horizontal Type, Single Unit, P.C.B. Terminal



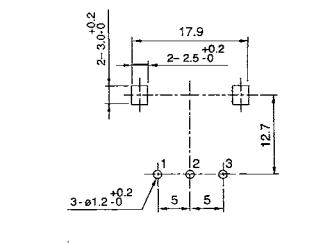
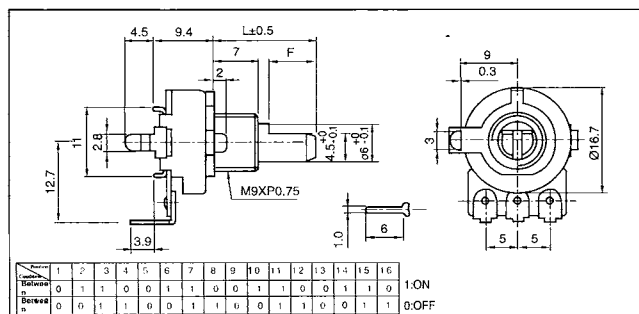
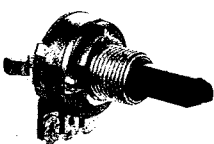
### F-162KP-16LS

Horizontal Type, Single Unit, P.C.B. Terminal



### F-162KP-1-16LS

Horizontal Type, Single Unit, P.C.B. Terminal

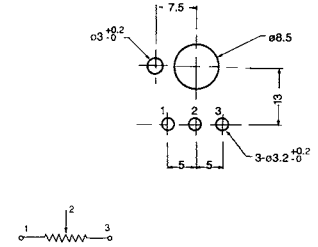
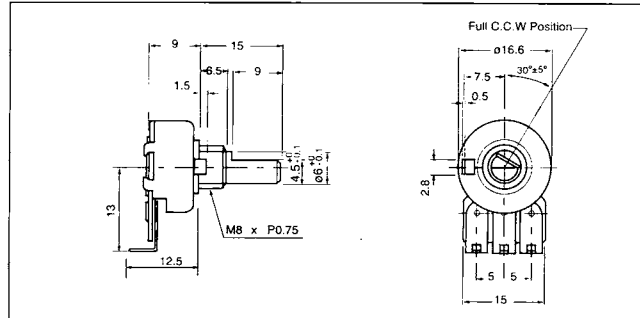
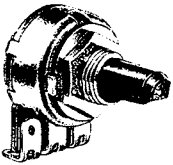


# F-164K Series

## Snap-In Insulated Shaft Rotary Potentiometer

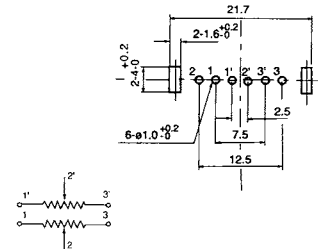
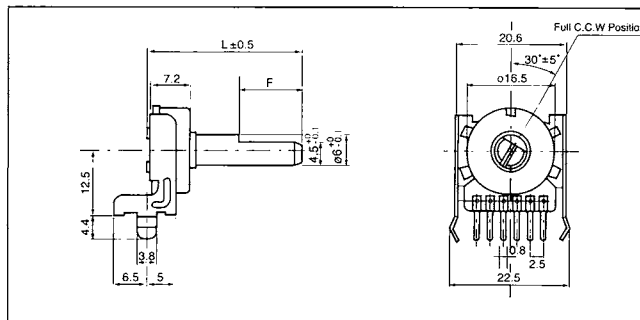
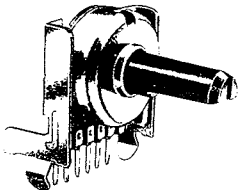
### F-163KP

Vertical Type, Single Unit,  
Solder Terminal



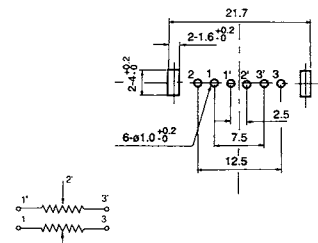
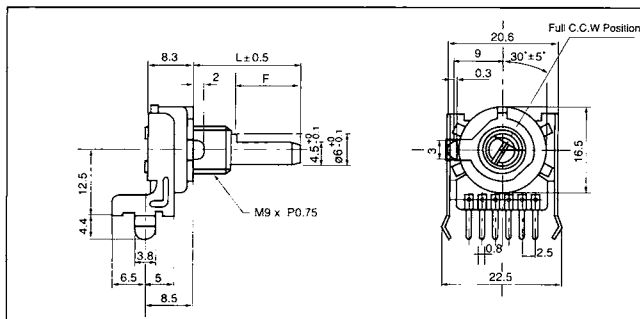
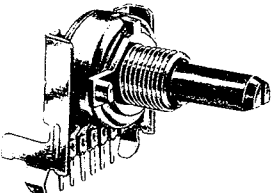
### F-164K

Vertical Type, Dual Unit,  
P.C.B. Terminal



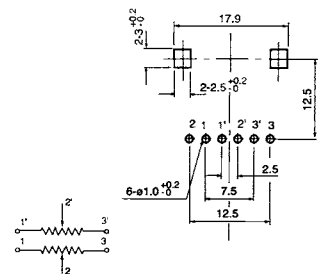
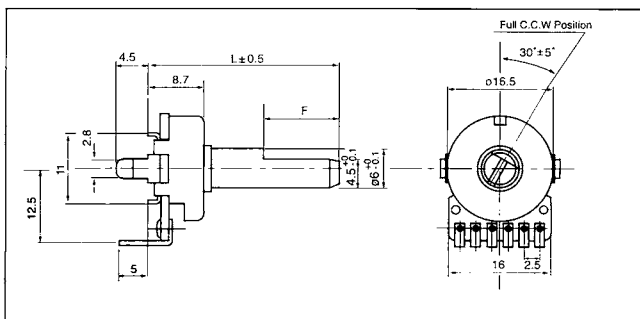
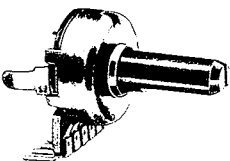
### F-164K-1

Vertical Type, Dual Unit,  
P.C.B. Terminal



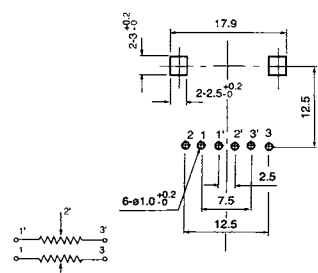
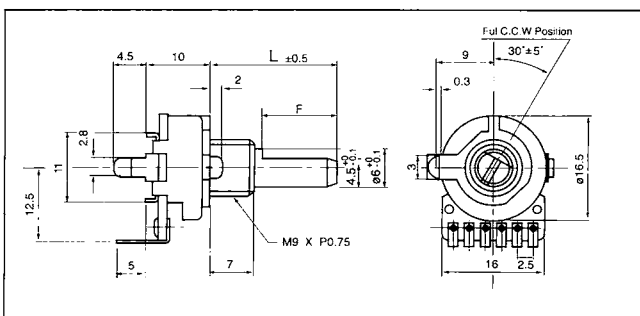
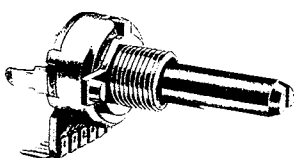
### F-164KP

Horizontal Type, Dual Unit,  
P.C.B. Terminal



### F-164KP-1

Horizontal Type, Dual Unit,  
P.C.B. Terminal

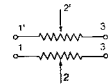
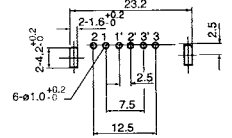
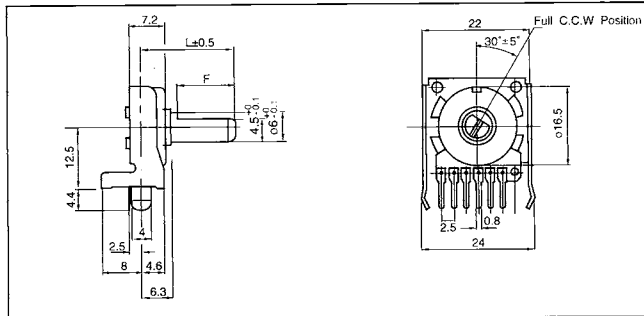
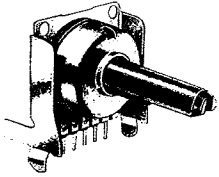


# F-165K Series

## Snap-In Insulated Shaft Rotary Potentiometer

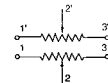
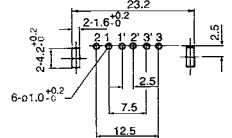
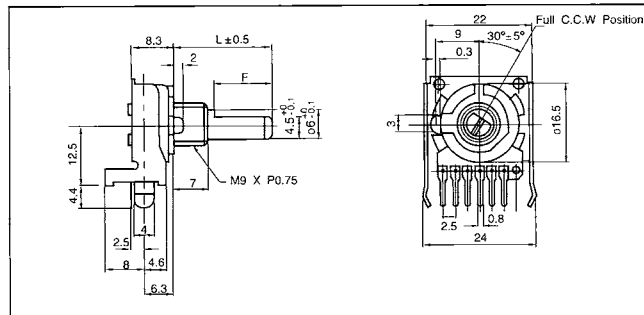
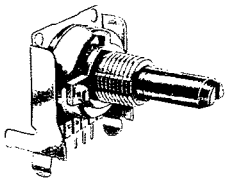
### F-165K

Vertical Type, Dual Unit,  
P.C.B. Terminal



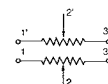
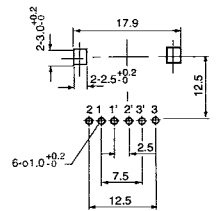
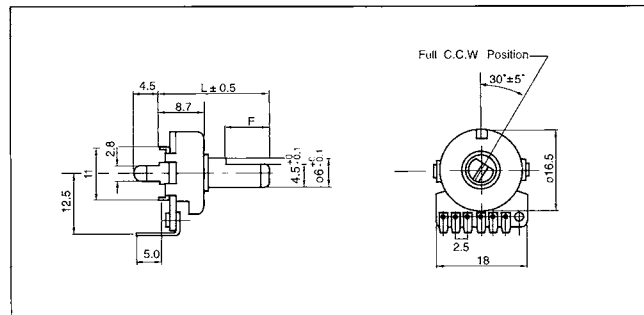
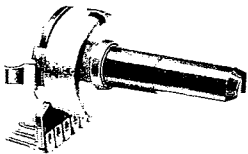
### F-165K-1

Vertical Type, Dual Unit,  
P.C.B. Terminal



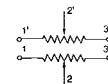
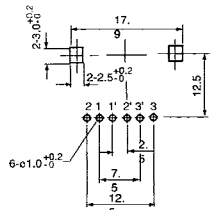
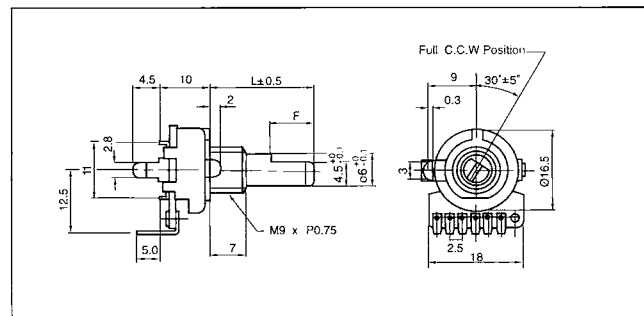
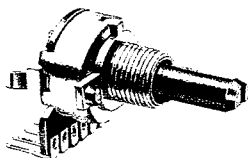
### F-165KP

Horizontal Type, Dual Unit  
P.C.B. Terminal



### F-165KP-1

Horizontal Type, Dual Unit  
P.C.B. Terminal



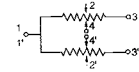
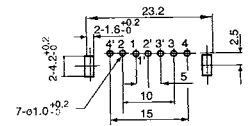
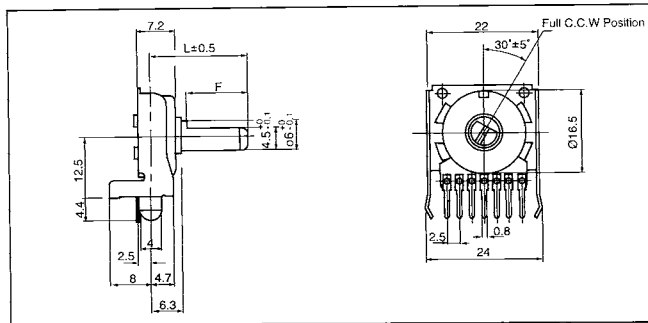
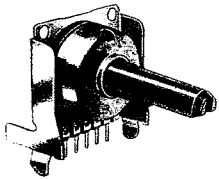


# F-167K Series

## Snap-In Insulated Shaft Rotary Potentiometer

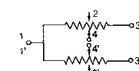
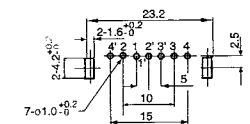
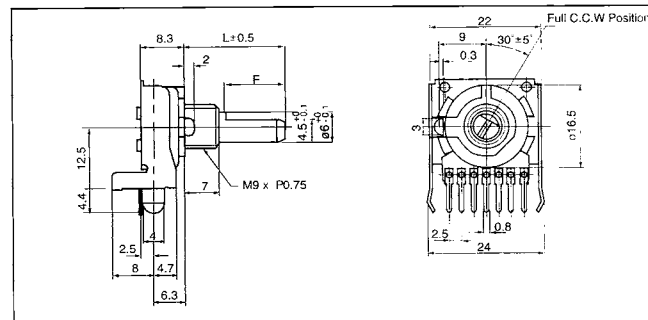
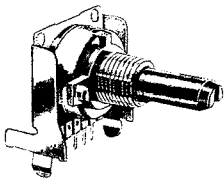
### F-167K

Vertical Type, Dual Unit,  
P.C.B. Terminal with Tap



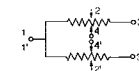
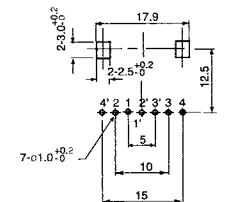
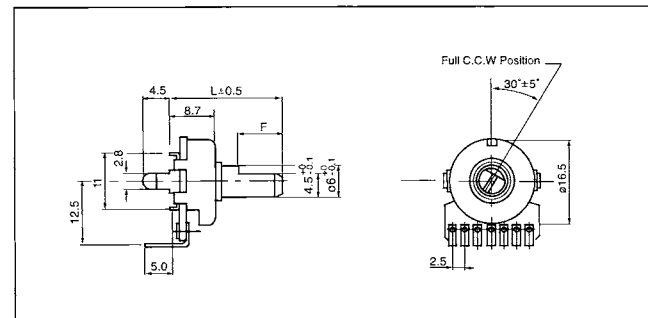
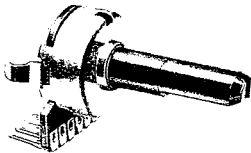
### F-167K-1

Vertical Type, Dual Unit,  
P.C.B. Terminal with Tap



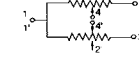
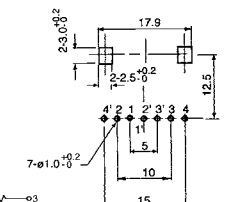
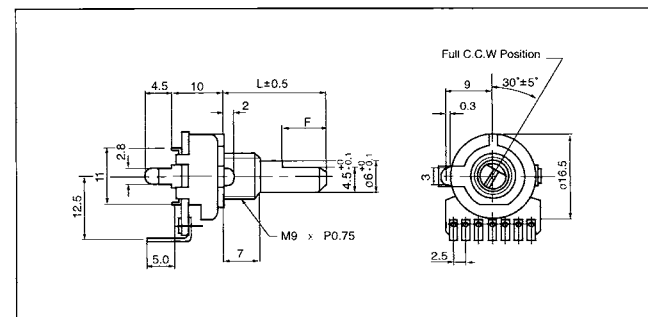
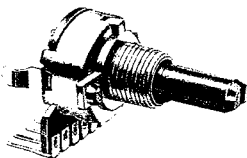
### F-167KP

Horizontal Type, Dual Unit,  
P.C.B. Terminal with Tap



### F-167KP-1

Horizontal Type, Dual Unit,  
P.C.B. Terminal with Tap

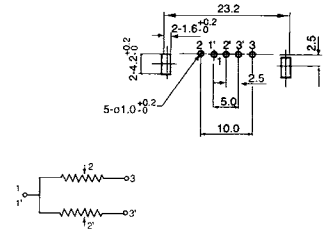
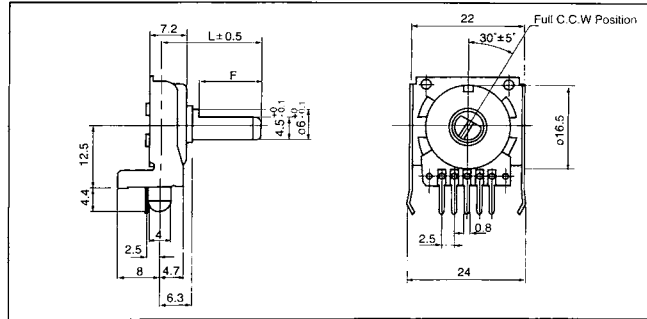
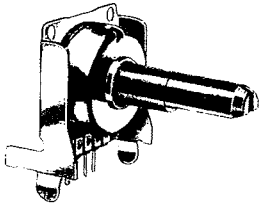


# F-168K Series

## Snap-In Insulated Shaft Rotary Potentiometer

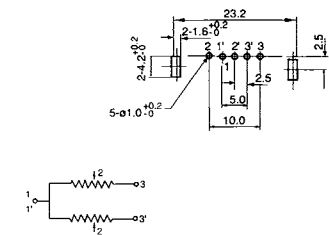
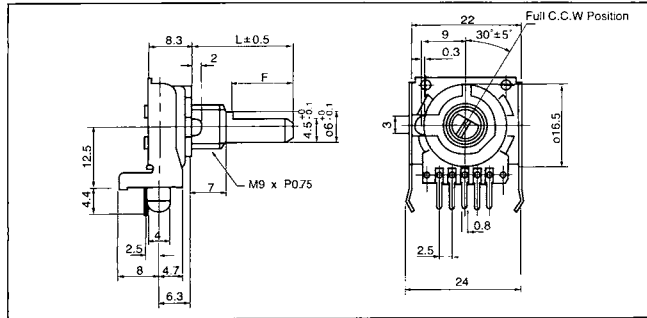
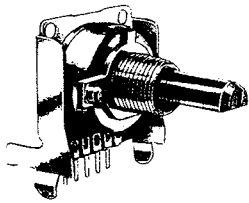
### F-168K

Vertical Type, Dual Unit,  
P.C.B. Terminal



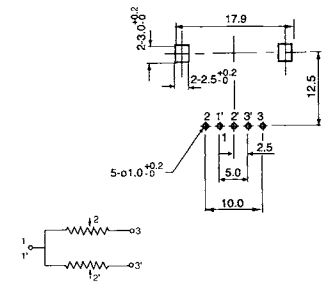
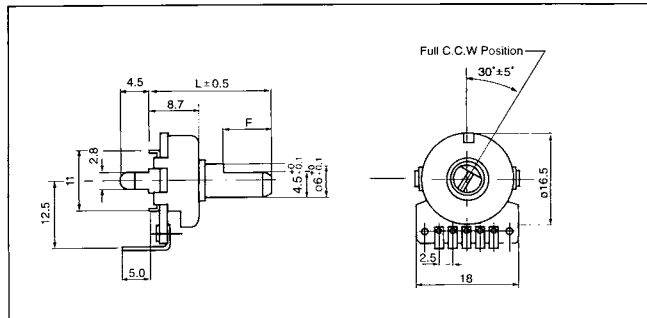
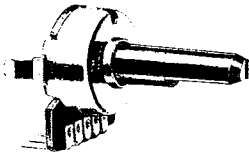
### F-168K-1

Vertical Type, Dual Unit,  
P.C.B. Terminal



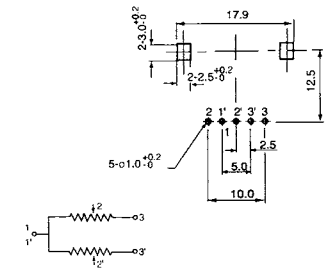
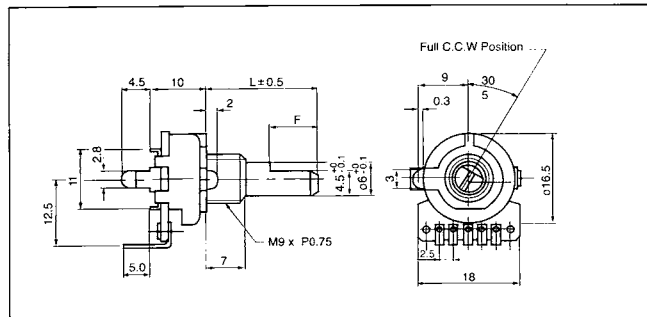
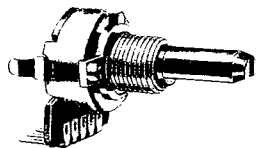
### F-168KP

Horizontal Type, Dual Unit,  
P.C.B. Terminal



### F-168KP-1

Horizontal Type Dual Unit,  
P.C.B. Terminal





# F-16xK Series

## Snap-In Insulated Shaft Rotary Potentiometer

### SHAFT ILLUSTRATION

Standard Dimensions of Shaft for F-162KP, F-164KP, F-165KP, F-167KP, F-168KP, F-162KP-1, F-164KP-1, F-165KP-1, F-167KP-1, F-168KP-1 Series.

(Customer designs are welcomed)

**F-162KP**

**F-162KP, F-164KP, F-165KP, F-167KP, F-168KP Shaft Dimensions and Styles**

F	L	20	25	30	35
	F	7	12	12	12
Y	L	20	25	30	35
	I	7	12	12	12

**F Shaft**

**F-162KP-1**

**F-162KP-1, F-164KP-1, F-165KP-1, F-167KP-1, F-168KP-1 Series Shaft Dimensions and Styles**

F	L	15	20	25	30
	F	8	12	12	12
Y	L	15	20	25	30
	I	8	12	12	12

**Y Shaft**

### SHAFT ILLUSTRATION

Standard Dimensions of Shaft for F-166K, F-166K-1, F-166KP, F-166KP-1 Series.

(Customer designs are welcomed)

**F-166K**

**F-166K-1**

**F-166K Series Shaft Dimensions and Styles**

F	L	18.5	23.5	28.5	33.5
	F	7	12	12	12
Y	L	18.5	23.5	28.5	33.5
	I	8	12	12	12

**F-166KP**

**F-166KP-1**

**F-166K-1 Series Shaft Dimensions and Styles**

F	L	15	20	25	30
	F	8	12	12	12
Y	L	15	20	25	30
	I	8	12	12	12

**F-166KP Series Shaft Dimensions and Styles**

F	L	20	25	30	35
	F	7	12	12	12
Y	L	20	25	30	35
	I	8	12	12	12

**F Shaft**

**Y Shaft**

**F-166KP-1 Series Shaft Dimensions and Styles**

F	L	15	20	25	30
	F	8	12	12	12
Y	L	15	20	25	30
	I	8	12	12	12