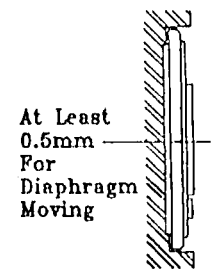
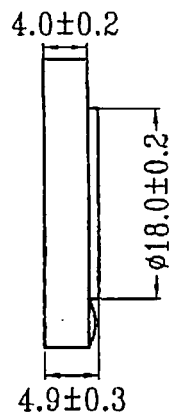
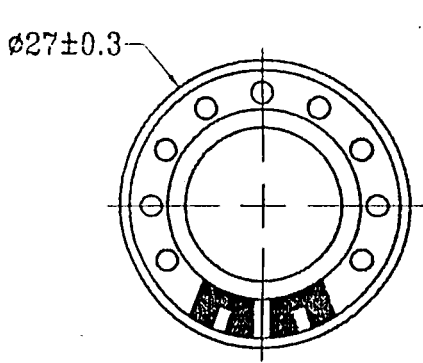
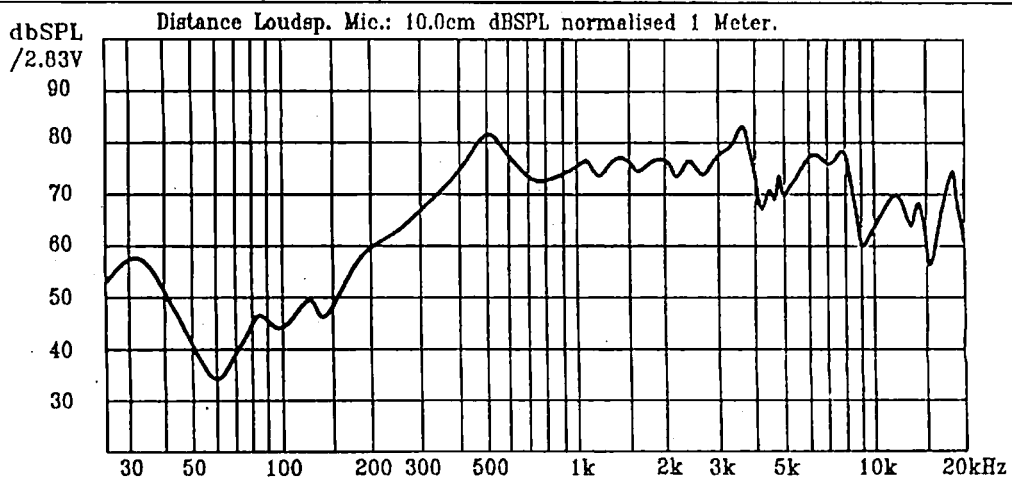


1	MODEL	F27P36B (27CS08P2-50NT)			
2	Dimension	Outer Diameter	26.9 mm	Baffle Opening	25.2 mm.
		Height Refer to drawing	Weight	4.4	Gram.
3	Magnet	Materials	Rare Earth	Size	ø12.5X1.5 mm.
4	Nominal Impedance	8 Ohm	± 15 %	At	1000 Hz
5	Power Rating	Normal	0.2 W.	Maximum	0.4 W.
6	Lowest Resonant Frequency	490	±	98	Hz
7	Output Sound Pressure Level (S.P.L.)	76 ± 3 db / 1 Watt 1 Meter.			
		Average at 500,600,800,1000 HZ			
8	Frequency Range	300~8500	Hz.	Average SPL-10	db.
9	Distortion	5 %	Maximum At	1000 Hz	0.2 W.
10	Abnormal Sound Test	Must be Normally Tested By 1.26 Volts Sine Wave.			
11	Load Test	White Noise with Weighted Filter 1.26 Volts. (RMS) 24 Hrs.			
12	Operation Temperature	-25°C ~ +60°C 16 Hours.			
13	Storage Temperature	-40°C ~ +70°C 2 Hours.			
14	Polarity	Diaphragm shall move Forward when Apply a Positive DC			
		Current to the "+" or "Marked" Terminal.			
15	Remarks	Above specifications on the strength of CNS4784 and CNS4785.			



Unit:mm

0204B

We reserve the right to alter specification without notice for further improvement