



SHOKAI FAR EAST LTD.

9 Elena Court – Cortlandt Manor NY 10567 USA 914-736-3500 Fax: 914-736-3656

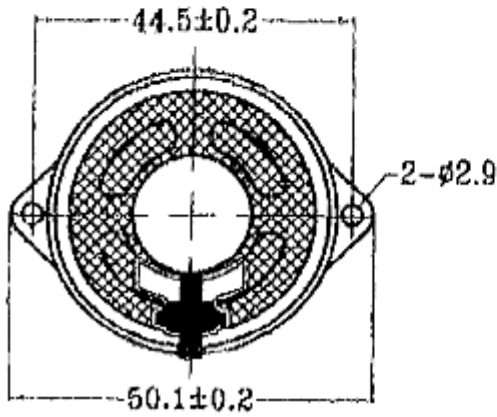
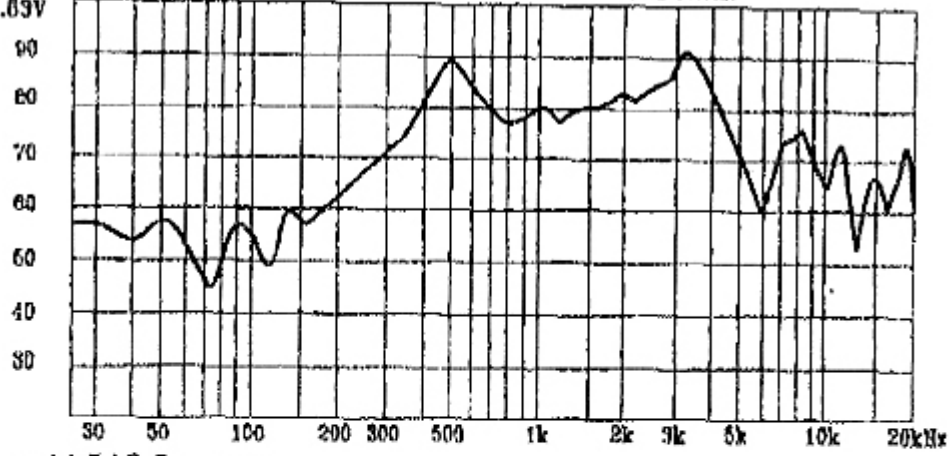
e-mail: sales@shokaifareast.com http://www.shokaifareast.com

SPEAKER SPECIFICATION

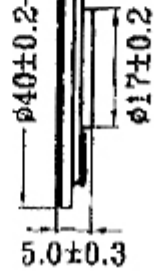
P/N 40CS08MH-75BD1	Specification	Test Condition
Size	40 mm (per drawing)	
Rated Power	0.5 Watt	
Maximum Power	1.0 Watt	
Operation	Must Be Normal After Test	Sweep Test @ 3.46V, Sound Source 1.5W
Voice Coil Impedance	8 ohms \pm 15%	At 1000Hz. 1V 20°C
Resonant Frequency	520Hz \pm 104Hz	Without Baffle
Frequency Response	300Hz to 5KHz (within 10dB)	Without Baffle
Output Sound Pressure Level	81dB \pm 3dB (@ 600, 800, 1K, 1.2KHz)	At 1.0M on Axis, .5W
Distortion	5% max.	At 1KHz 1W
Operating Temperature Range	-25°C - +60°C	16 Hours
Storage Temperature Range	-40°C - +70°C	72 Hours
Heat Test	Must Be Normal After Test	At 70°C \pm 2°C for 72 hrs.
Humidity Test	Must Be Normal After Test	At 40°C \pm 2°C 90 – 95% relative humidity for 72 hrs.
Speaker Weight	9.7 gms	
Magnet Type	Rare Earth	
Magnet Size	12.5mm dia. X 1.5mm	
Cone Material	Mylar	
Frame Material	Metal	
See Drawing Below		

dB SPL
/2.83V

Distance Loudsp. Mic.: 10.0 cm dB SPL normalised on 1 Meter.



2.2 ± 0.2



At Least
0.5mm
For
Diaphragm
Moving

