

CUSTOMER		MODEL NO.	CP-221NT(23CE-38B)
CUS. PART NO.		DATE	

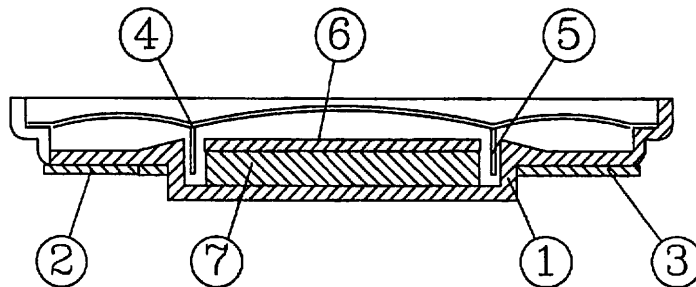
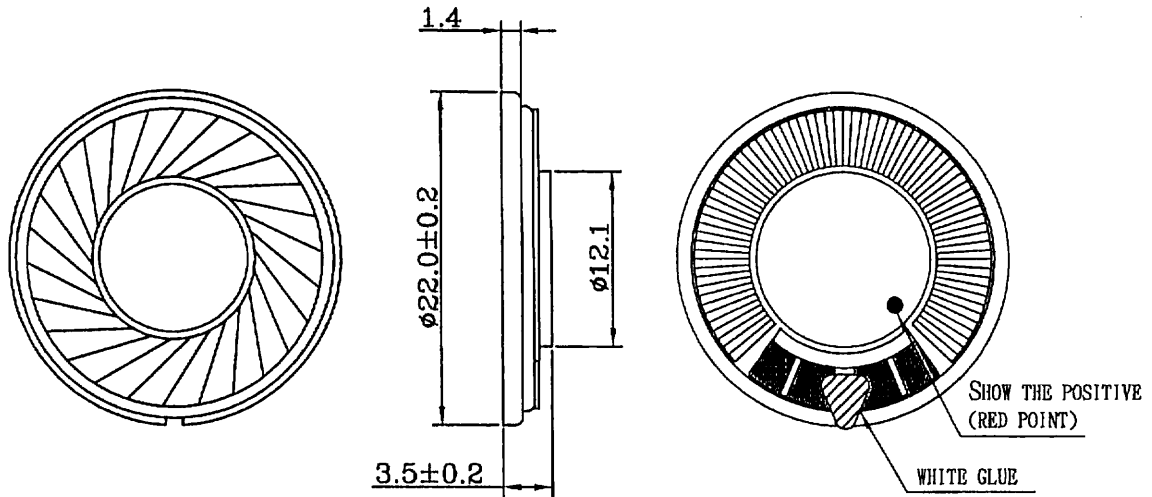
SPECIFICATION

1 · Scope	This specification is applied to mirco speaker and contains specific electrical and mechanical requirements for this model .
2 · Dimensions	Diameter 22.0 mm and refers to attached drawing in details
3 · Characteristics :	
3-1 Impedance	8 Ω \pm 1.2 (15%) Ω at 1KHz (DC)
3-2 Rated Input Power	0.75W
3-3 Maximum Input Power	1.10W
3-4 Sound Pressure Level	88 \pm 3 dB at 0.1 W 10cm (at 0.8, 1.0, 1.5, 2.0 KHz average)
3-5 Resonant Frequency (Fo)	620 \pm 124(20%) Hz
3-6 Frequency Response	400 ~ 20 KHz . From 1KHz SPL down 10 dB .
3-7 Buzz & Rattles etc	Should not be audible at 2.45 V from 100 Hz to 2.0 KHz
3-8 Total Harmonic Distortion	Less than 5% at 1KHz
3-9 Polarity	Diaphragm shall move forward when applies a positive DC current to the "+" or marked on terminal
3-10 Insulation Resistance	\geq 1M Ω ; DC 100V
3-11 Magnet	Size : 9.5x1.2 mm ; Material : NdFeB N35
3-12 N.W. of speaker	3.0 g \pm 0.2g
3-13 Operating Temperature	-25°C to 50°C without loss of function
3-14 Storage Temperature Range	-25°C to 60°C without loss of function

CUSTOMER		MODEL NO.	CP-221NT(23CE-38B)
CUS. PART NO.		DATE	

SPECIFICATION

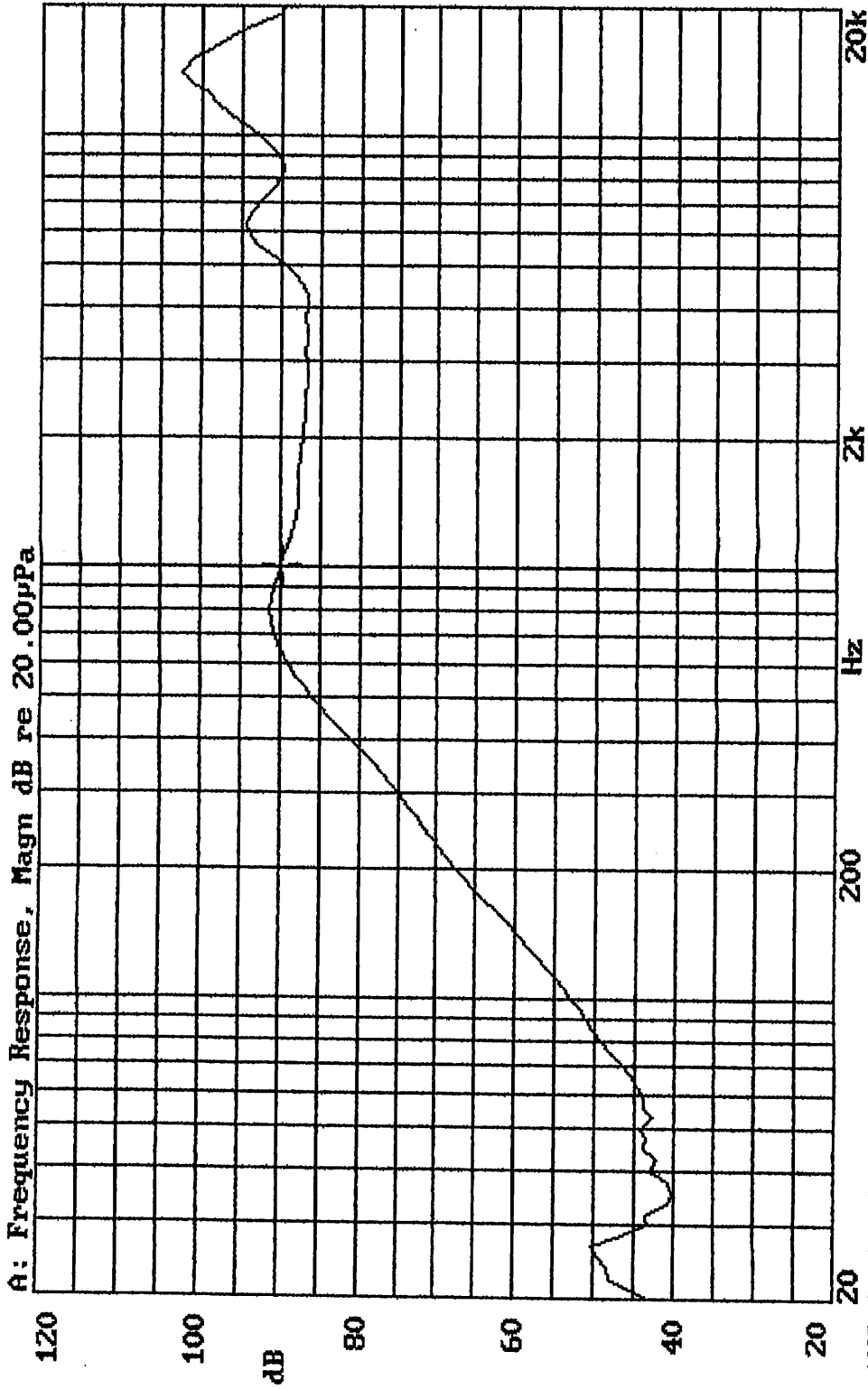
Speaker Construction



SECTIONAL DRAWING (4:1)

7	MAGNET	1	NDFEB 9.5x1.2mm N35H
6	WASHER	1	SPCC
5	VOICE COIL	1	MAGNET WIRES CU./INNER DIA 10.26mm
4	DIAPHRAGM	1	PET 38 μ , BLACK
3	CLOTH	1	CLOTH 0.35mm
2	TERMINAL	1	GREEN EPOXY
1	METAL HOUSING	1	SPCC
NO	PART NAME	Q'TY	MATERIAL & SIZE
			UNIT:mm

CP-221NT (23ce-38B) 8Ω 0.89V 0.1W 10cm
X:1.0000kHz *Y:89.94dB ZA:Live Curve



08-AUG-2005 13:10:49

Mode: EARPHONE

