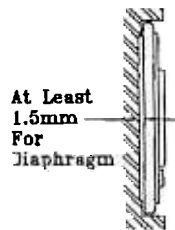
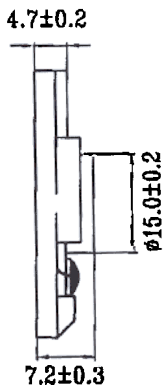
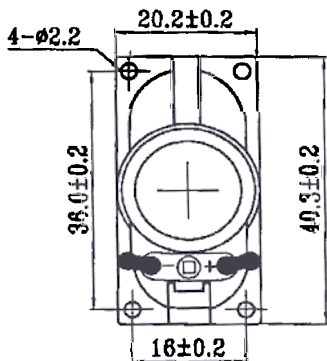
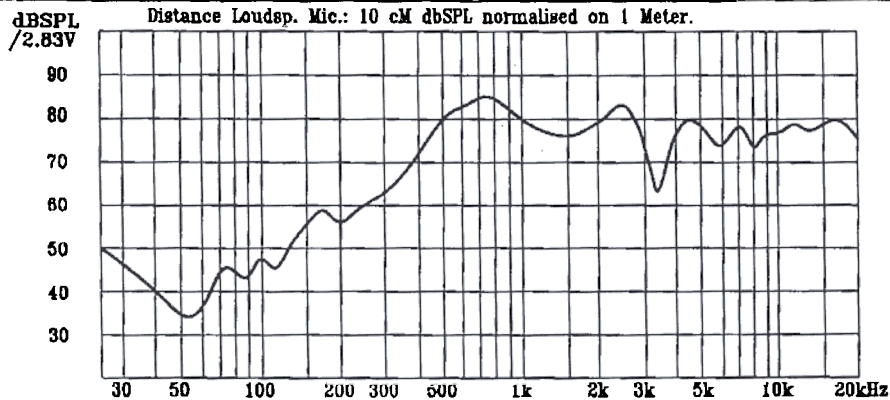


1	MODEL	2040CP08-13(GP)			
2	Dimension	20.2X40.3X7.2H	Weight	6.0	Gram.
3	Magnet	Materials	Rare Earth	Size	φ11X1.5 mm.
4	Nominal Impedance	8 Ohm	± 15 %	At	1000 Hz
5	Power Rating	Normal	2.0 W.	Maximum	3.0 W.
6	Lowest Resonant Frequency	630	±	126	Hz
7	Output Sound Pressure Level (S.P.L.)	79 ± 3 dB / 1 Watt 1 Meter.			
		Average at	800,1000,1200,1500		HZ
8	Frequency Range	380~20K	Hz.	Average SPL-10	dB.
9	Distortion	5 %	Maximum At	1000 Hz	2.0 W.
10	Abnormal Sound Test	Must be Normally Tested By	4.0	Volts	Sine Wave.
11	Load Test	White Noise with Weighted Filter	4.0	Volts. (RMS)	96 Hrs.
12	Operation Temperature	-25°C ~ +70°C			
13	Storage Temperature	-40°C ~ +85°C			
14	Polarity	Diaphragm shall move Forward when Apply a Positive DC			
		Current to the "+" or "Marked" Terminal.			
15	Remarks	Above specifications on the strength of CNS4784 and CNS4785.			



Unit:mm

0507C